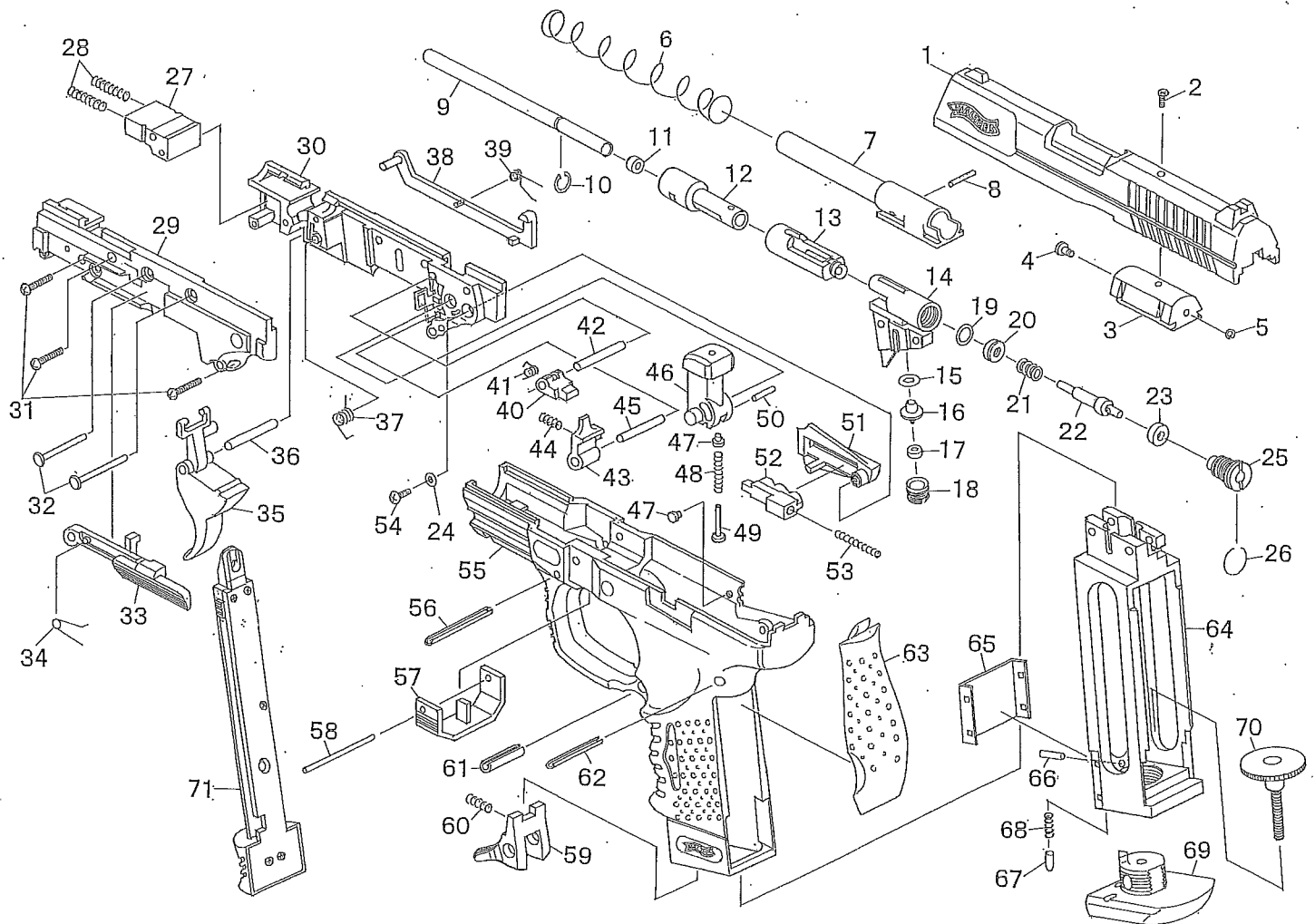


PARTS OF CP99 Compact – FIGURE.1

2 / 18 / 2009

Use this figure Serial Number 8A00001~



- | | | |
|---------------------------|--------------------------------|--|
| 1. Slide | 26. Piston Ring | 51. Safety |
| 2. Slide Screw | 27. Slide Block | 52. Safety Lock |
| 3. Cylinder Block | 28. Buffer Spring | 53. Safety Lock Spring |
| 4. Hit Pin | 29. Mechanism Frame Left | 54. Safety Screw |
| 5. Hit Pin E-ring Clip | 30. Mechanism Frame Right | 55. Frame |
| 6. Recoil Spring | 31. Mechanism Frame Screw | 56. Frame Pin Front |
| 7. Outer Barrel | 32. Valve Body Pin | 57. Slide Release |
| 8. Barrel Set Pin | 33. Slide Stop | 58. Slide Release Pin |
| 9. Inner Barrel | 34. Slide Stop Spring | 59. Magazine Catch |
| 10. Barrel C-ring Clip | 35. Trigger | 60. Magazine Catch Spring |
| 11. Barrel Packing | 36. Trigger Pin | 61. Magazine Catch Pin |
| 12. Barrel Guide | 37. Trigger Spring | 62. Frame Pin Rear |
| 13. Nozzle Link Assembly | 38. Trigger Bar | 63. Back Strap |
| 14. Valve Body | 39. Trigger Bar Spring | 64. Puncture Frame |
| 15. Retainer O-ring | 40. Hammer Block Piece | 65. Puncture Frame Front Cover |
| 16. Puncture Pin Assembly | 41. Hammer Block Piece Spring | 66. Puncture Knob Stop Pin |
| 17. Face Seal | 42. Hammer Block Piece Pin | 67. Puncture Knob Click Plunger |
| 18. Puncture Pin Holder | 43. Sear | 68. Puncture Knob Click Plunger Spring |
| 19. Valve O-ring | 44. Sear Spring | 69. Puncture Knob |
| 20. Valve Washer | 45. Sear Pin | 70. Puncture Adjuster |
| 21. Valve Spring | 46. Hammer Assembly | 71. Magazine Assembly |
| 22. Valve | 47. Red Dot | |
| 23. Valve Seal | 48. Hammer Spring | |
| 24. Space O-ring | 49. Hammer Spring Guide | |
| 25. Valve Rear Cap | 50. Hammer Spring Pressure Pin | |
| | | 101. Valve Assembly (No. 14~23, 25, 26) |
| | | 102. Puncture Frame Assembly (No. 64~70) |

Price List for Parts of Walther CP99 Compact MARUZEN CO., LTD					
1	Slide	\$2.58	44	Sear Spring	\$0.02
2	Slide Screw	\$0.02	45	Sear Pin	\$0.02
3	Cylinder Block	\$0.36	46	Hammer Assembly	\$0.24
4	Hit Pin	\$0.17	47	Red Dot	\$0.01
5	Hit Pin E-ring Clip	\$0.02	48	Hammer Spring	\$0.09
6	Recoil Spring	\$0.10	49	Hammer Spring Guide	\$0.06
7	Outer Barrel	\$0.37	50	Hammer Spring Pressure Pin	\$0.02
8	Barrel Set Pin	\$0.02	51	Safety	\$0.23
9	Inner Barrel	\$0.43	52	Safety Lock	\$0.11
10	Barrel C-ring Clip	\$0.02	53	Safety Lock Spring	\$0.02
11	Barrel Packing	\$0.03	54	Safety Screw	\$0.02
12	Barrel Guide	\$0.12	55	Frame	\$1.12
13	Nozzle Link Assembly	\$0.12	56	Frame Pin Front	\$0.02
14	Valve Body	\$0.41	57	Slide Release	\$0.08
15	Retainer O-ring	\$0.02	58	Slide Release Pin	\$0.02
16	Puncture Pin Assembly	\$0.48	59	Magazine Catch	\$0.20
17	Face Seal	\$0.03	60	Magazine Catch Spring	\$0.02
18	Puncture Pin Holder	\$0.17	61	Magazine Catch Pin	\$0.02
19	Valve O-ring	\$0.14	62	Frame Pin Rear	\$0.02
20	Valve Washer	\$0.04	63	Back Strap	\$0.32
21	Valve Spring	\$0.09	64	Puncture Frame	\$1.06
22	Valve	\$0.54	65	Puncture Frame Front Cover	\$0.06
23	Valve Seal	\$0.03	66	Puncture Knob Stop Pin	\$0.02
24	Space O-ring	\$0.02	67	Puncture Knob Click Plunger	\$0.08
25	Valve Rear Cap	\$0.42	68	Puncture Knob Click Plunger Spring	\$0.02
26	Piston Ring	\$0.02	69	Puncture Knob	\$0.62
27	Slide Block	\$0.12	70	Puncture Adjuster	\$0.22
28	Buffer Spring	\$0.06	71	Magazine Assembly	\$1.33
29	Mechanism Frame Left	\$0.57			
30	Mechanism Frame Right	\$0.57	101	Valve Assembly	\$3.17
31	Mechanism Frame Screw	\$0.02	102	Puncture Frame Assembly	\$2.40
32	Valve Body Pin	\$0.02			
33	Slide Stop	\$0.18			
34	Slide Stop Spring	\$0.04			
35	Trigger	\$0.38			
36	Trigger Pin	\$0.02			
37	Trigger Spring	\$0.04			
38	Trigger Bar	\$0.13			
39	Trigger Bar Spring	\$0.04			
40	Hammer Block Piece	\$0.04			
41	Hammer Block Piece Spring	\$0.04			
42	Hammer Block Piece Pin	\$0.02			
43	Sear	\$0.04			